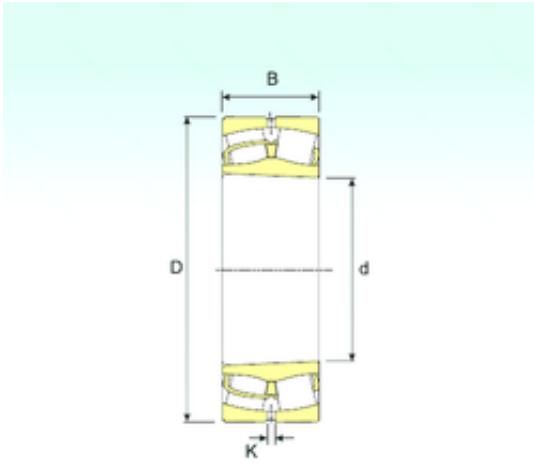




# SHANGHAI CORES INDUSTRIAL CO., LTD.



400 mm x 600 mm x 148 mm ISB 23080 K  
spherical roller bearings

Bearing No. 23080 K

Size	400x600x148 mm
Bore Diameter	400 mm
Outer Diameter	600 mm
Width	148 mm
d	400 mm
D	600 mm
B	148 mm
C	148 mm
K	12 mm
Weight	150 Kg
Basic dynamic load rating (C)	3185 kN
Basic static load rating (C0)	5586 kN
(Grease) Lubrication Speed	841,5 r/min

23080 K Bearing 2D drawings and 3D CAD models