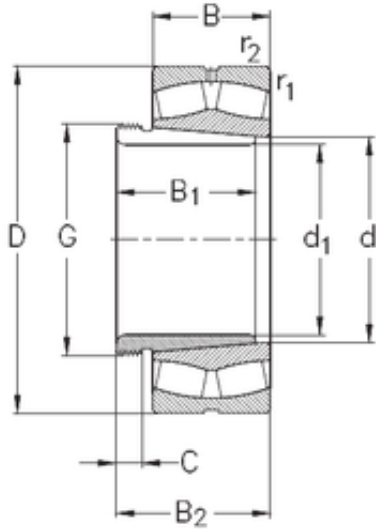




SHANGHAI CORES INDUSTRIAL CO., LTD.



950 mm x 1250 mm x 224 mm NKE 239/950-K-MB-W33+AH39/950 spherical roller bearings

Bearing No. 239/950-K-MB-W33+AH39/950

239/950-K-MB-W33+AH39/950 Bearing 2D drawings and 3D CAD models

Size	950x1250x224 mm
Bore Diameter	950 mm
Outer Diameter	1250 mm
Width	224 mm
d	950 mm
d1	900 mm
D	1250 mm
B	224 mm
C	224 mm
r1 min.	7,5 mm
r2 min.	7,5 mm
B1	282 mm
B2	297 mm
C	50 mm
Thread (G)	Tr 980x8
Weight	982 Kg
Basic dynamic load rating (C)	4238 kN
Basic static load rating (C0)	9459 kN
Limiting speed	360 r/min
Calculation factor (e)	0,16
Calculation factor (Y0)	4,19
Calculation factor (Y1)	4,28