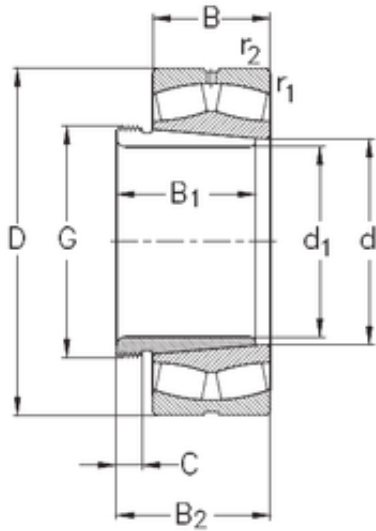




SHANGHAI CORES INDUSTRIAL CO., LTD.



75 mm x 160 mm x 55 mm NKE 22315-E-K-W33+AHX2315 spherical roller bearings

Bearing No. 22315-E-K-W33+AHX2315

22315-E-K-W33+AHX2315 Bearing 2D drawings and 3D CAD models

Size	75x160x55 mm
Bore Diameter	75 mm
Outer Diameter	160 mm
Width	55 mm
d	75 mm
d1	70 mm
D	160 mm
B	55 mm
C	55 mm
r1 min.	2,1 mm
r2 min.	2,1 mm
B1	68 mm
B2	72 mm
C	12 mm
Thread (G)	M 85x2
Weight	6,05 Kg
Basic dynamic load rating (C)	396 kN
Basic static load rating (C0)	489 kN
Limiting speed	6300 r/min
Calculation factor (e)	0,33
Calculation factor (Y0)	2
Calculation factor (Y1)	2